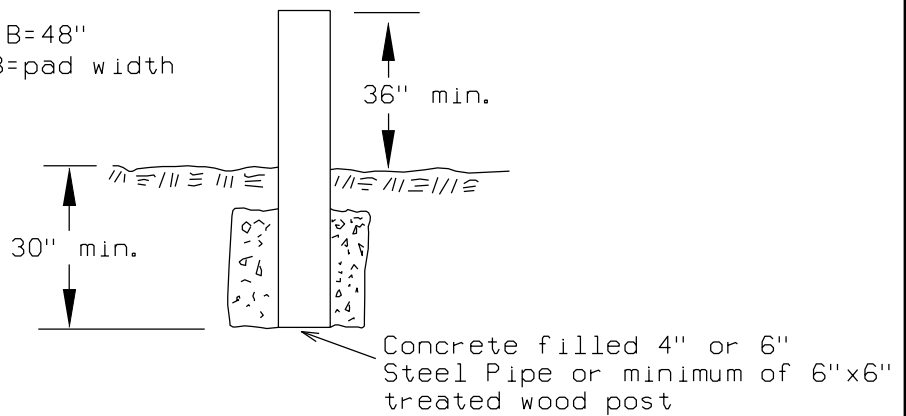


All single phase A=24", B=48"  
 All three phase A=60", B=pad width



**Diggers 811**

Company Stock Codes:  
 Pwr. Installed 134-6010  
 Pipe 123-3160

**NOTES:**

1. See page 3-10 for code clearances to combustible walls, doors, windows, intakes, etc.
2. Protective posts are **required** where the transformer is subject to vehicular traffic. Installation and cost of this protection is the responsibility of the customer. If the Company has to install this protection, appropriate charges will be billed to the customer.

**Revised: 03/10**