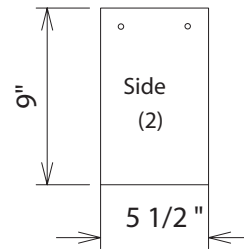
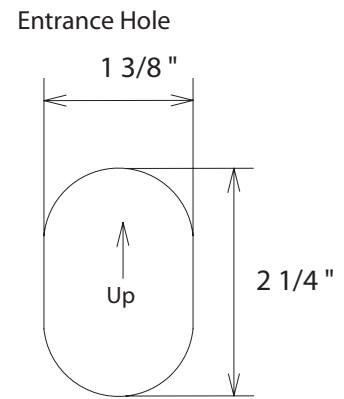
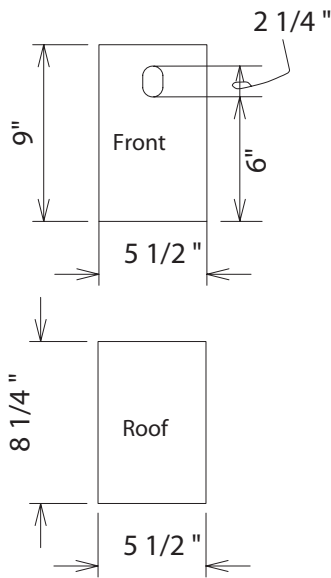
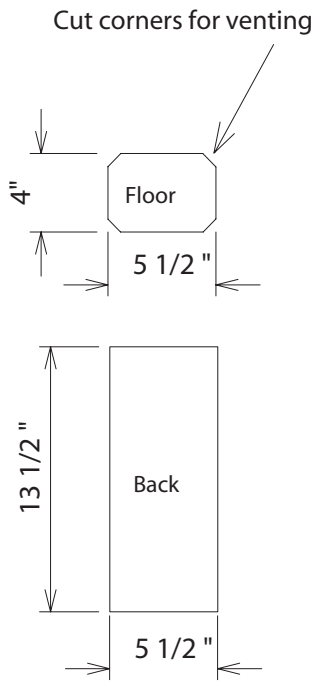
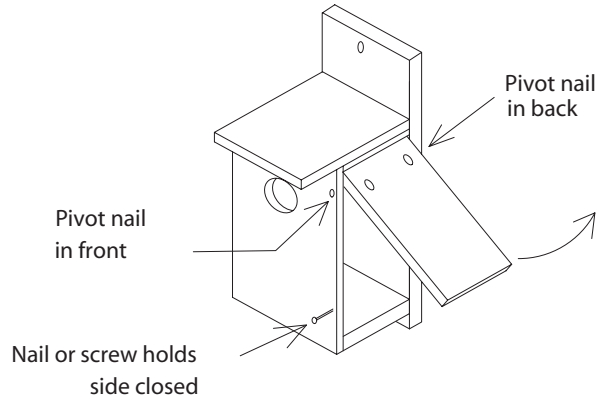


Tree Swallow and Eastern Bluebird Nest Box



Lumber: One 1" x 6" x 6'

NOTE: These dimensions assume a 3/4" thick board.

Installing and Caring for Eastern Bluebird Houses

Having a successful nest in your bluebird house may take a lot of work but it will provide you with an educational and enjoyable experience!

House Placement

Eastern bluebird houses should be placed in areas made up of mixed hardwood trees and grasses. Power line rights-of-way, pastures, yards and cemeteries provide excellent grassland habitat.

When installing your bluebird house, measure so it's approximately 5 to 6 feet above the ground. Make sure the entrance hole faces north, east or northeast to prevent sunlight from shining into the hole and heating the interior.

Eastern Bluebirds' Competitors

House sparrows will compete with eastern bluebirds for nesting sites. Therefore, bluebirds prefer to nest in rural areas, away from buildings.

Their houses are also susceptible to house cats and raccoons.

Cleaning

Eastern bluebird houses need to be cleaned of debris regularly. Have your house clean and ready for the birds by late March each year, and check the house every 7 to 10 days from late March until mid-August. Be sure to remove nesting material as soon as the first brood leaves, because it's possible to raise a second brood in the same year in the same house.

Source: Carrol L. Henderson, "Woodworking for Wildlife, Homes for Birds and Mammals," State of Minnesota, Department of Natural Resources, 1992.

*Building plans for eastern bluebird houses
now available online at
www.wisconsinpublicservice.com*



A WPS Resources Company
www.wisconsinpublicservice.com