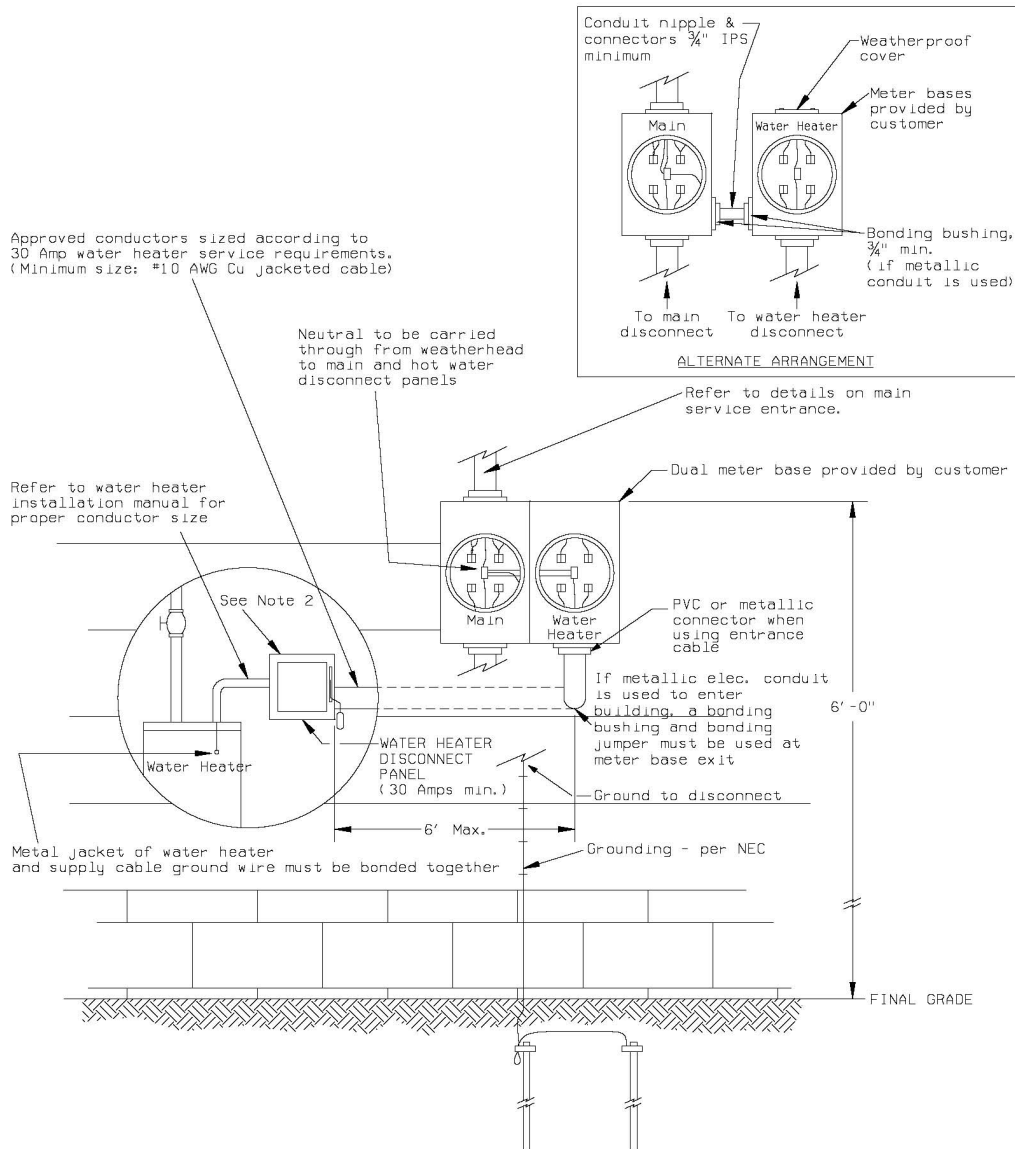




Appendix C - Maintenance Only Information

C – 1 Residential Electric Water Heater Service Entrance (Maintenance Only)

FOR MAINTENANCE – NO LONGER AVAILABLE



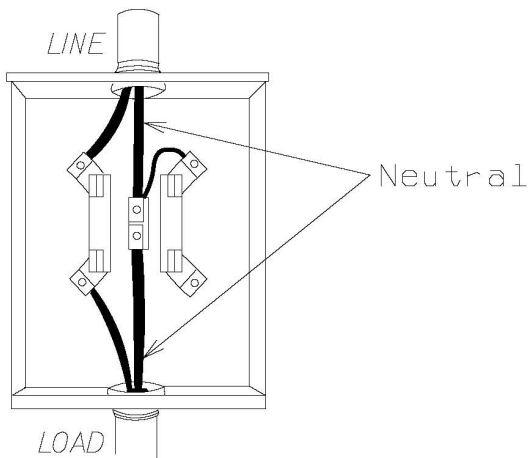
Notes:

1. Location of entrance to be determined by the Company and coordinated with customer prior to installation.

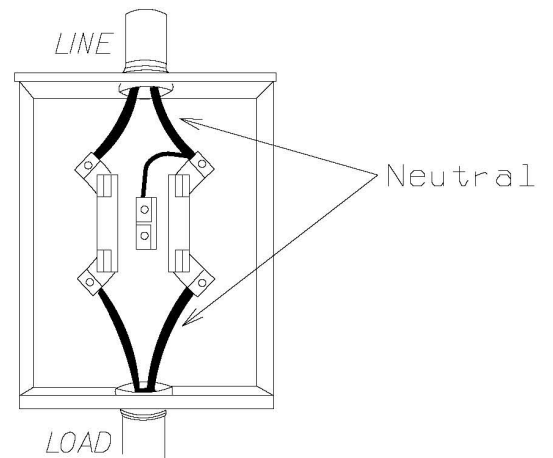
2. If the main service disconnect is grounded to the water supply line, then a minimum 10 AWG ground wire must be installed between the water heater disconnect panel and the main service panel.

C – 2 120 Volt Meter Socket (Maintenance Only)

FOR MAINTENANCE – NO LONGER AVAILABLE



Preferred



Alternate

(Use care when jumpering out!)

Wired for 2-wire, 120 Volt Service

C – 3 Foundation Penetrations

FOR MAINTENANCE – NO LONGER AVAILABLE

The Company will no longer run its conductors through a basement wall because all new meters must be installed outside. For existing meters located inside buildings, the below diagrams show how to and how not to deal with water seepage through basement walls.

