



Upper Peninsula Power Company

Appendix A

UPPCO Meter Base Requirements

1. 100-200 Amp Single-Phase UG

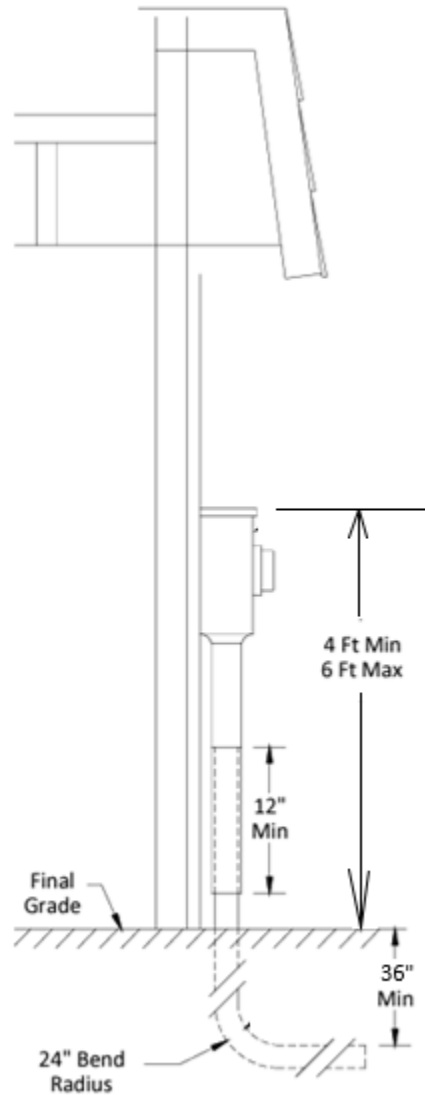
- Requirements:
 - a. Ringless Type Meter Socket
 - b. Outdoor Enclosure (Nema type 3R)
 - c. 1 Phase, 3-Wire
 - d. 4 Jaw Meter Socket
 - e. Horn Bypass
 - f. Sealable
 - g. No cover over meter
 - h. UL Listed
 - i. Per NEC 2020/2023 main service disconnect

Options:

- Schneider Electric
 - UHT-RP2423-63
 - Extension: 1007680 (18") or 1008786 (30")
 - Available at Standard Electric
- Square D/Durham
 - UHT-RS223A-SQD (Conduit Entry)
 - Must have slip joint
 - Must have elbow below ground level
 - Minimum 2.5" conduit size
 - Temporarily approved with pedestals in short supply
- Cutler Hammer
 - UHT-RP2423-63-CH
 - Extension: 1007680-CH (18") or 1008786-CH (30")
 - Available at Menards
- Midwest
 - UHT-RP2423-63-MEP
 - Extension: 1007680-MEP (18") or 1008786-MEP (30")
- Landis & Gyr (Siemens)
 - UAP317-PPWI
 - Extension: 18" kit = 5007726 30" kit = 5007727
- Millbank
 - U3358-0-KK
 - Extension: 15" K5800
 - Available at Westphal Electric
 - U1980-O-KK (Conduit entry)
 - Must have slip joint
 - Must have elbow below ground level

- Temporarily approved with pedestals in short supply
- Minimum 2.5" conduit size
- Midwest (100 Amp)
 - R101CP6

Conduit option example:



2. 100-200 Amp Single-Phase UG with Main

- Requirements:
 - a. Ringless Type Meter Socket
 - b. Outdoor Enclosure (Nema type 3R)
 - c. 1 Phase, 3-Wire
 - d. 4 Jaw Meter Socket

- e. Horn Bypass
- f. Sealable
- g. No cover over meter
- h. UL Listed
- i. Per NEC 2020/2023 main service disconnect

Options/Examples:

- Milbank
 - NU8980
 - K3701 connector block required to replace breaker
 - U3358-O-KK
 - K3082 set screw connector kit required.
 - U5925-O-200-KK
 - Meter main with load center
 - U5925-O-200-KK– Meets NEC 2020/2023 requirements
 - U6689-O-200-KK– Meets NEC 2020/2023 requirements
- Cutler Hammer
 - 1008846-CH
 - Extension: 1009021-CH (18”) or 1009024-CH (30”)
 - Available at Wesco
- Eaton
 - MHR100P Series
 - MHR100P Series Extension: CHPPEXT100
 - MHR200P Series
 - MHR200P Series Extension: MHPEEXT
 - 1008846CH – Meets NEC 2020/2023 requirements
 - Available at Menards & All-Phase
- Siemens (Main breaker and 20 space circuit)
 - MC2040B1200RJBC (add extension)
 - Available at Home Depot
- Midwest
 - R208CR2A– Meets NEC 2020/2023 requirements
 - R281CB1– Meets NEC 2020/2023 requirements
 - Available at Standard electric
- **Mobile homes:**
 - Milbank U5844-PXL-200
 - Eaton MB816B200BTSD

3. 100-200 Amp Single-Phase OH

- Requirements:
 - a. Ringless Type Meter Socket
 - b. Outdoor Enclosure (Nema type 3R)
 - c. 1 Phase, 3-Wire
 - d. 4 Jaw Meter Socket
 - e. Horn Bypass
 - f. Sealable
 - g. No cover over meter
 - h. UL Listed
 - i. Per NEC 2020/2023 main service disconnect
- The Company has no list of approved sockets for this application. The meter base shall meet the requirement above and be securely mounted. NEC 110.13(A)

4. 320 Class / 400 Amp Single-Phase OH

- Requirements:
 - a. Ringless Type Meter Socket
 - b. 4 Jaw Meter Socket
 - c. 320A Continuous, 400A Max
 - d. Outdoor Enclosure (Nema type 3R)
 - e. Bypass Lever
 - f. Rated 600V AC
 - g. Sealable
 - h. 1 Phase, 3-Wire
 - i. No cover over meter
 - j. UL Listed
 - k. Per NEC 2020/2023 main service disconnect if one/two dwelling home
- The Company has no list of approved sockets for this application. The meter base shall meet the requirement above and be securely mounted. NEC 110.13(A)

5. 320 Class / 400 Amp Single-Phase UG

- Requirements:
 - a. Ringless Type Meter Socket
 - b. 320A Continuous, 400A Max
 - c. Rated 600V AC
 - d. Outdoor Enclosure (Nema type 3R)
 - e. 1 Phase, 3-Wire
 - f. 4 Jaw Meter Socket
 - g. Bypass Lever
 - h. Sealable
 - i. No cover over meter
 - j. UL Listed
 - k. Per NEC 2020/2023 main service disconnect if one/two dwelling home.

- Options/Examples:
 - Milbank
 - U1748-O-WI
 - U4363XQGK3K2
 - Extension: S1848
 - Available at All-Phase
 - Schneider Electric
 - 1009018
 - Extension: 1009023 (18") or 1009026 (30")
 - Cutler Hammer
 - 1009018-CH
 - Extension: 1009023-CH (18") or 1009026-CH (30")
 - Available at Menards
 - Midwest
 - 1009018-MEP
 - Extension: 1009023-MEP (18") or 1009026-MEP (30")
 - Durham
 - 1009018
 - Extension: 1009023 (18") or 1009026 (30")
 - Landis & Gyr
 - 47604P-9WI

6. 320 Class / 400 Amp Single-Phase UG with two 200A Main Breakers

- Requirements:
 - a. Ringless Type Meter Socket
 - b. 4 Jaw Meter Socket
 - c. 320A Continuous, 400A Max
 - d. Bypass Lever
 - e. Rated 600V AC
 - f. Sealable
 - g. 1 Phase, 3-Wire
 - h. UL Listed
 - i. Per NEC 2020/2023 main service disconnect if one/two dwelling home
- Options/Examples:
 - Durham
 - 1009017
 - Extension: 1009022 (18") or 1009025 (30")
 - Cutler Hammer
 - 1009017-CH
 - Extension: 1009022-CH (18") or 1009025-CH (30")
 - Available at Menards
 - Milbank

- U3849-0-2/200
- U3849-0-INV
- (no extension available)
- Available at All-Phase

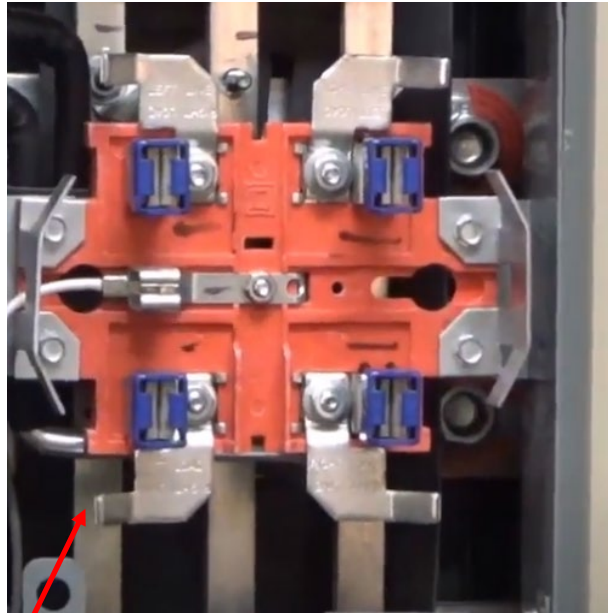
7. Multi-occupancy dwelling

- Requirements:
 - a. Ringless Type Meter Socket
 - b. Outdoor Enclosure (Nema type 3R)
 - c. 1 Phase, 3-Wire
 - d. 4 Jaw Meter Socket
 - e. Horn Bypass
 - f. Sealable
 - g. No cover over meter
 - h. UL Listed

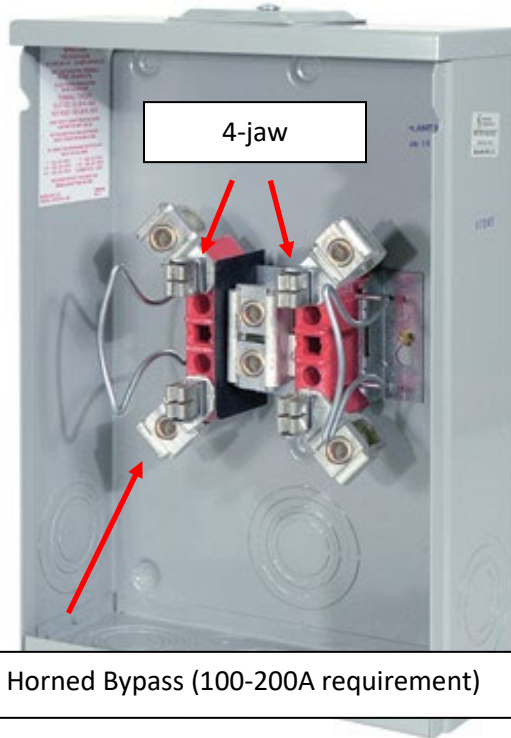
Options/Examples:

- Siemens
 - WP6412 Uni-Pak (1ph - 120/240, 600a)
 - Available at Menards
- Square D
 - EZ Meter Pak series -
 - EZM31600GCBU (3ph – 120/208, 1600a)
 - EZMH113125 (1ph - 120/240, 125a)
 - MPH22125 – two sockets (1ph - 120/240, 125a)
 - EZML112225 (1ph – 120/240, 225a)
 - EZM1800TB (800a terminal box)
 - Available at Graybar and Standard Electric

Examples:



Horned Bypass (100-200A requirement)
5 jaw network meter socket



Horned Bypass (100-200A requirement)

